

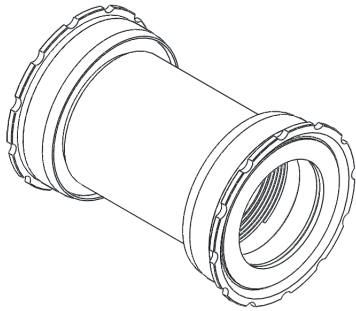


PB30

TRIPEAK Part NO.

EMA-PB30-PKCBTF12

EMA-PB30-PKSBTF12

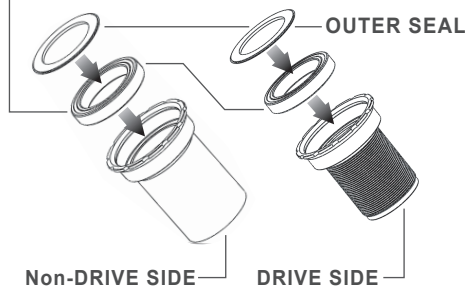


BB Shell System Compatibility Chart

	PF30	PF30A	BB RIGHT	BB386
BB Shell DIA.	46mm	46mm	46mm	46mm
BB Shell Width.	68/73mm	73mm	79mm	86.5mm
SPINDLE DIA.	30mm (SRAM/FSA BB30) (FSA 386EVO) (ROTOR 3D+) (SRAM FORCE22)	30mm (FSA 386EVO) (ROTOR 3D+) (SRAM FORCE22)	30mm (FSA 386EVO) (ROTOR 3D+) (SRAM FORCE22)	30mm (FSA 386EVO) (ROTOR 3D+)

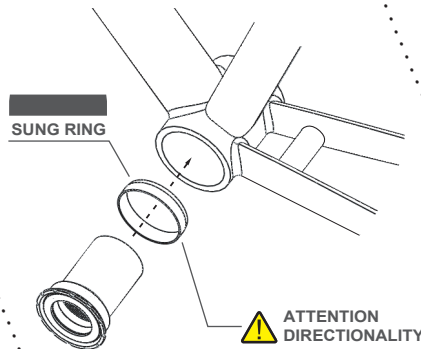
Bearing Options :

- SB (Steel Bearing) / CB (Ceramic Bearing)
- Bearing Size : 30 x 42 x 7mm - (6806)



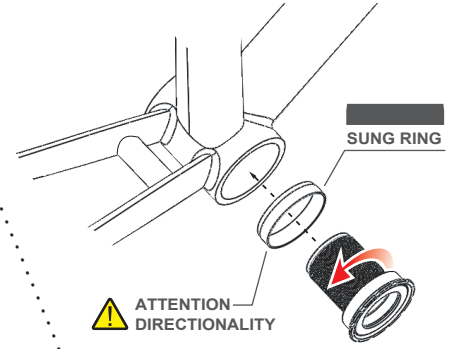
Step 1

PRESS IN (Non-DRIVE SIDE)



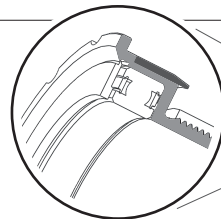
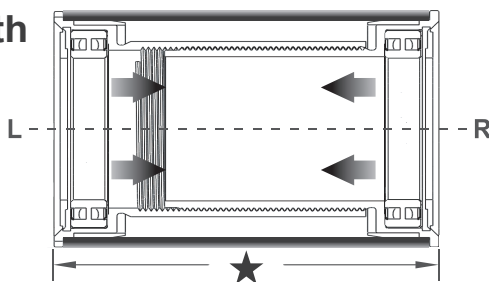
Step 2

TWIST-LOCK (DRIVE SIDE)

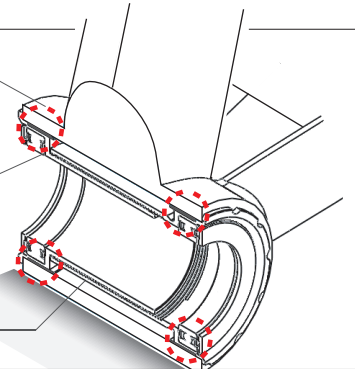


★ Installed-Width

PF30 Road	68mm
PF30 MTB	73mm
BB RIGHT	79mm
BB386EVO	86mm

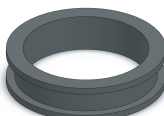


SUNG-RING
PA+GF Mold & CNC Finished
Integrated System



TRIPEAK Spacer Specification Options

EMA-BB-A030



ID : 30mm



T : 11mm

EMA-BB-A054



ID : 30mm



T : 9mm

EMA-BB-A031



ID : 30mm



T : 7mm

EMA-BB-A053



ID : 30mm



T : 5mm

EMA-BB-A052



ID : 30mm



(2PCS)
T : 2mm

